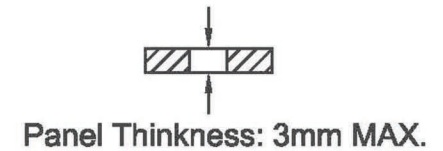
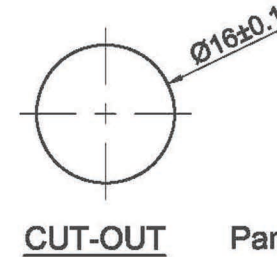
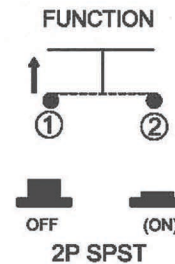
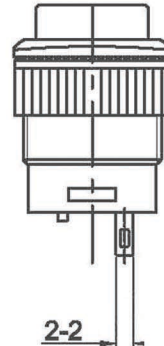
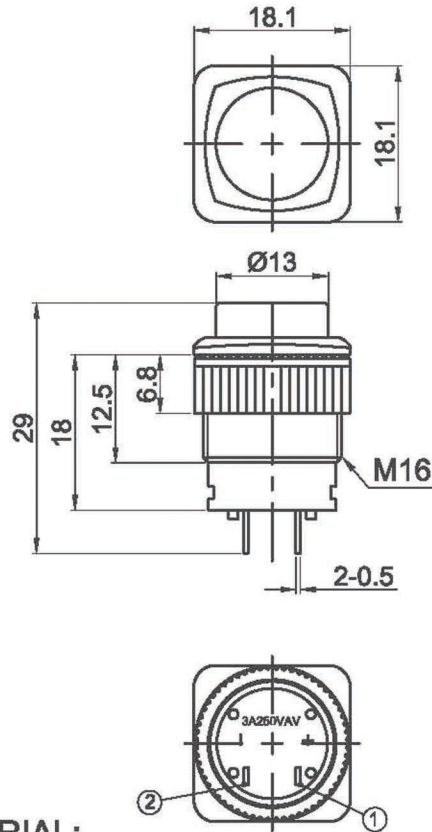


PB16



SPECIFICATIONS

Circuit	:SPST
Switch voltage rating	:1.5A 250VAC,3A 125VAC
Dielectric withstanding voltage	:1500VAC for 1 minute
Contact resistance	:20mΩ Max. (Initial)
Insulation resistance	:100MΩ Min.
Electrical Life	:50,000 cycles Min
Function	: OFF-(ON)
Operating temperature	:-25° C ~ +85° C

MATERIAL:

- Actuator: PC;
- Top Base: PA66;
- Buttom Base:PA66. ;
- Terminal: Brass,Silver plated ;